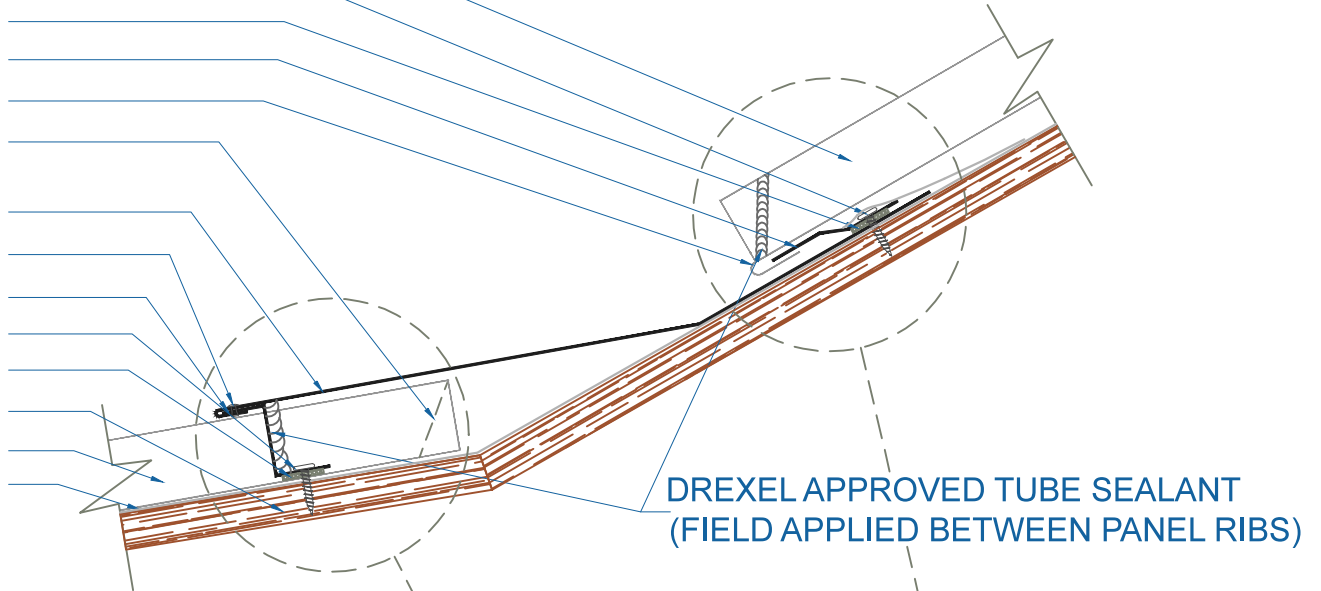


# DMC 150SS - PLYWOOD

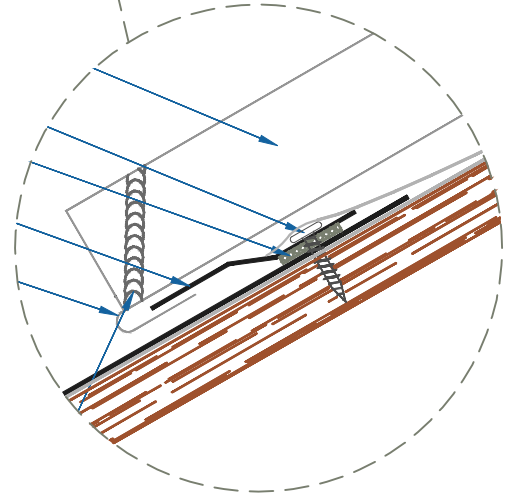
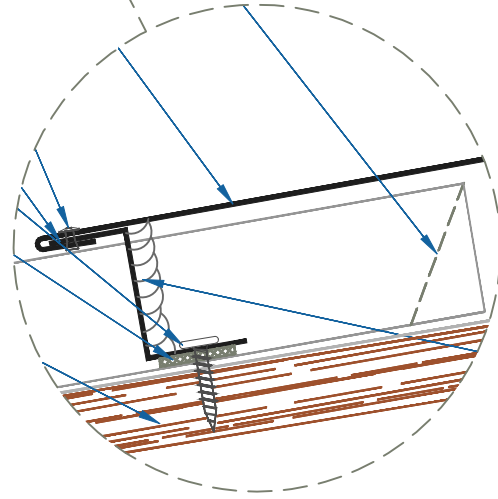
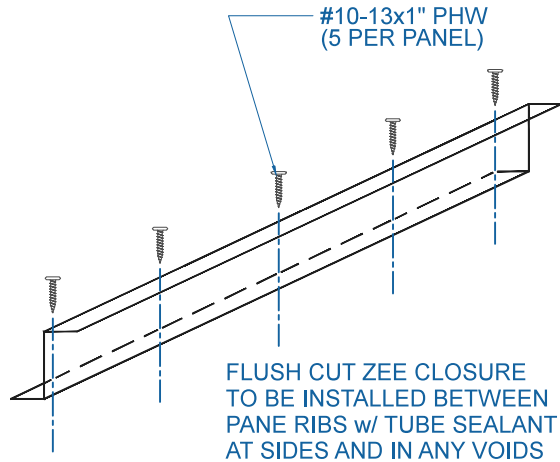
- DMC 150SS PANEL
- #10 - 13 x 1" PHW (12" o.c.)
- D.B. TAPE SEALANT
- OFFSET CLEAT FLASHING
- FIELD CUT & HEM PANEL 180°
- BOX END OF PANEL  
(SEE ZEE CLOSURE OPTIONS DETAIL)
- TRANSITION FLASHING
- 1/8" - #43 POP RIVET (18" o.c.)
- Z-CLOSURE
- #10 - 13 x 1" PHW (5 PER PANEL)
- D.B. TAPE SEALANT
- PLYWOOD SUBSTRATE (1/2" MIN.)
- DMC 150SS PANEL
- METSHIELD UNDERLAYMENT



DREXEL APPROVED TUBE SEALANT  
(FIELD APPLIED BETWEEN PANEL RIBS)

ZOOMED IN VIEW

ZOOMED IN VIEW



NTS

## TRANSITION

SCALE: 3" = 1'-0"

EFFECTIVE DATE: 01-04-13  
SUBJECT TO CHANGE WITHOUT NOTICE