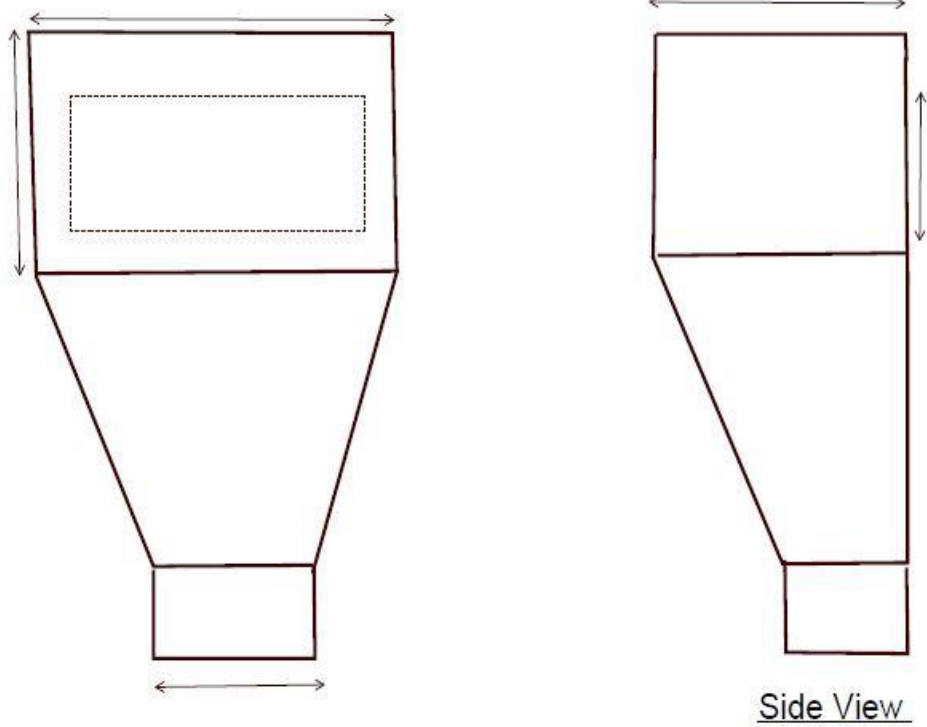


CUSTOMER NAME: _____

JOB NAME: _____

DATE NEEDED BY: _____

Leader Head without Bands



PLEASE FILL OUT ALL DEMENSIONS PER DIAGRAM

Quantity: _____

METAL GRADE: _____

COLOR: _____