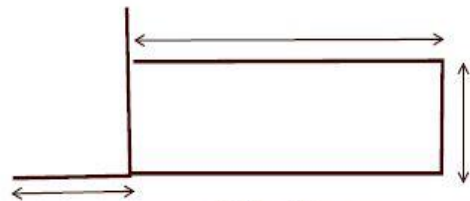
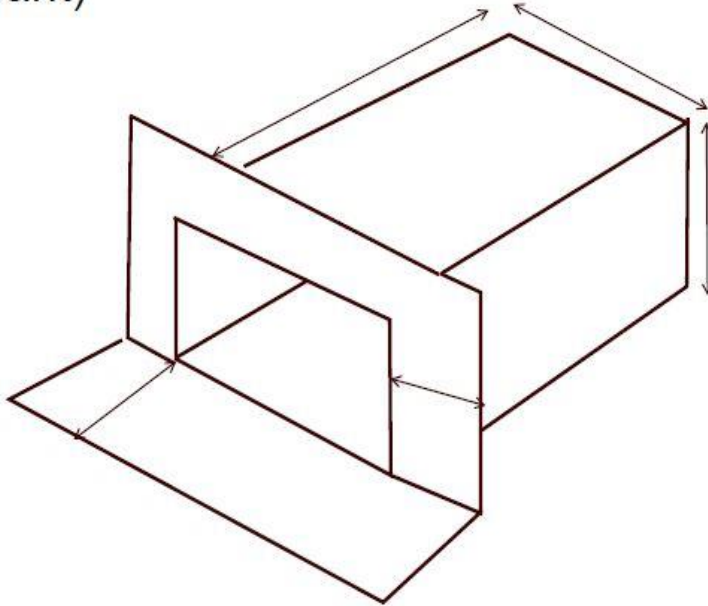


CUSTOMER NAME: _____

JOB NAME: _____

DATE NEEDED BY: _____

Scupper- TPO Style
(No Cant)



Side View

PLEASE FILL OUT ALL DEMENSIONS PER DIAGRAM

Quantity: _____

METAL GRADE: _____

COLOR: _____